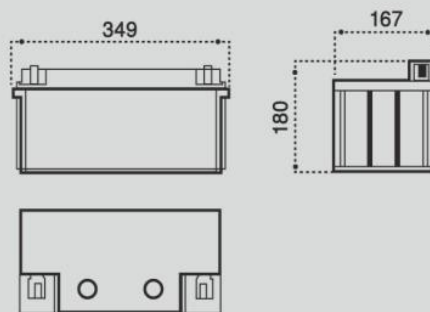


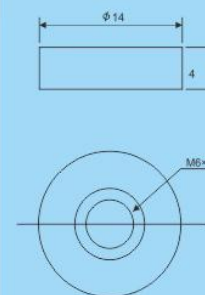
12 SB 65 (12V 65Ah)



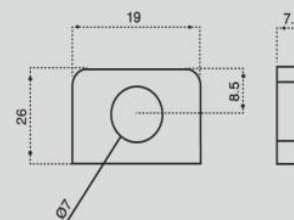
Outer Dimensions (mm)



Terminal Type brass core (mm) (F1)



Terminal Type bolt and nut (mm) (F2)



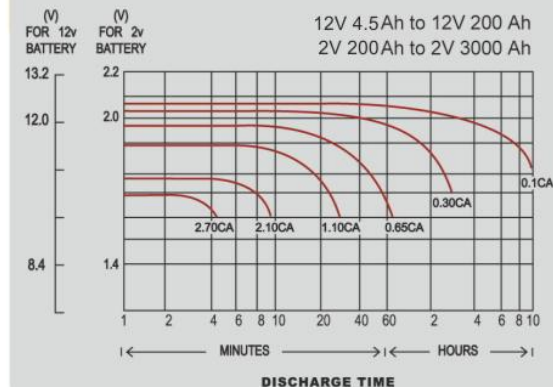
Specifications

Nominal Voltage		12 V
Rated Capacity (10 Hour Rate)		65 Ah
Dimensions	Total Height	185 mm
	Height	180 mm
	Length	349 mm
	Width	167 mm
Terminal		F1 / F2
Container Material		ABS (UL94-HB/V0)
Weight Approx (±2.5%)		23.85 Kg

Characteristics

Capacity 25°C (77°F)	10 hour-rate	65 Ah
	3 hour-rate	46.5 Ah
Internal Resistance	Full Charge Battery at 25°C (77°F)	5 mΩ
	Capacity Affected by Temperature (10 Hour Rate)	35°C: 66 Ah 25°C: 65 Ah 0°C: 55 Ah -10°C: 49 Ah
Self-Discharge at 25°C (77°F)	Capacity After The 3 Month of Storage	91 %
	Capacity After The 6 Month of Storage	82 %
	Capacity After The 12 Month of Storage	64 %
Charge Constant Voltage	Cycle	Voltage 2.40-2.45 / Cell
	Float	Voltage 2.23-2.28 / Cell

Discharge Curves 25°C (77°F)



Discharge and Final Voltage Table According to IEC60886-21 Standard

Discharg time	0.25 h	1 h	3 h	5 h	8 h	10 h
Final voltage	1.60 VPC	1.60 VPC	1.70 VPC	1.73 VPC	1.75 VPC	1.80 VPC

Constant Current (A) Discharge Table at 25°C (77°F)

Amount of Current (A)	Discharge Time						
	1 h	2 h	3 h	5 h	8 h	10 h	20 h
	34	20.7	15.5	10.1	7.2	6.5	3.51